



# **NE Adjustable Transport Conveyor**

## **NE ATC 3440**



---

**NES Worldwide Inc. – 3 Progress Ave – Westfield, MA 01085**

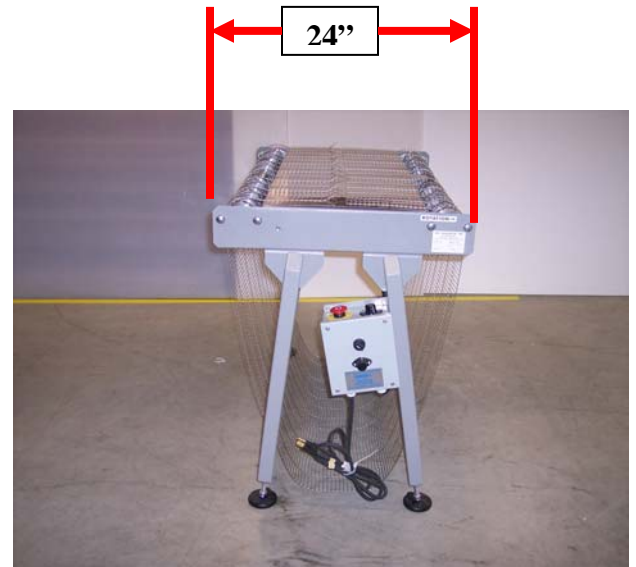
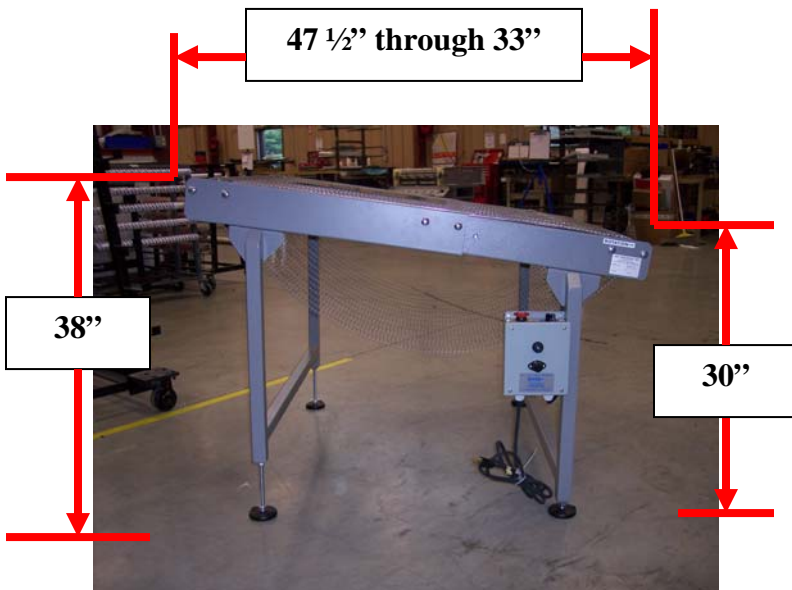
**413-562-8000**

## Specifications NE ATC 3440

<b>Voltage</b>	<b>120 volt</b>
<b>Amps</b>	<b>1.5</b>
<b>Phase</b>	<b>1</b>
<b>Hertz</b>	<b>50/60</b>
<b>Overall Dimensions</b>	<b>(47 1/2"- 24") L x 43" W x (30"- 38") H</b>

The line of adjustable conveyors offered by NES Worldwide are designed to minimize installation errors and also make it easier to change plate line configuration without costly upgrades to existing conveyors.

The NE ATC 3440 is adjustable from 47 1/2" to 24" in length and also adjustable in height from 30" to 38".



The NE ATC is capable of being configured to 24" in length by utilizing the "A" frame design for stability. The electrical control box is set up to mount on either side of conveyor to accommodate any installation.

---

NES Worldwide Inc. – 3 Progress Ave – Westfield, MA 01085

413-562-8000